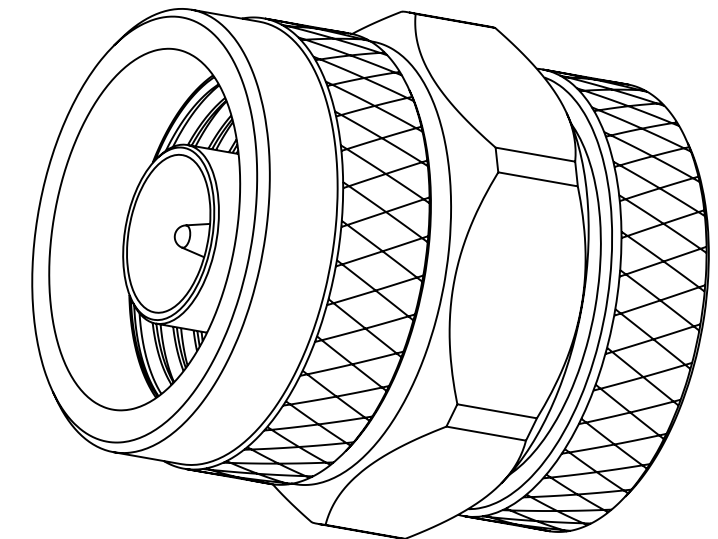


NOTES:

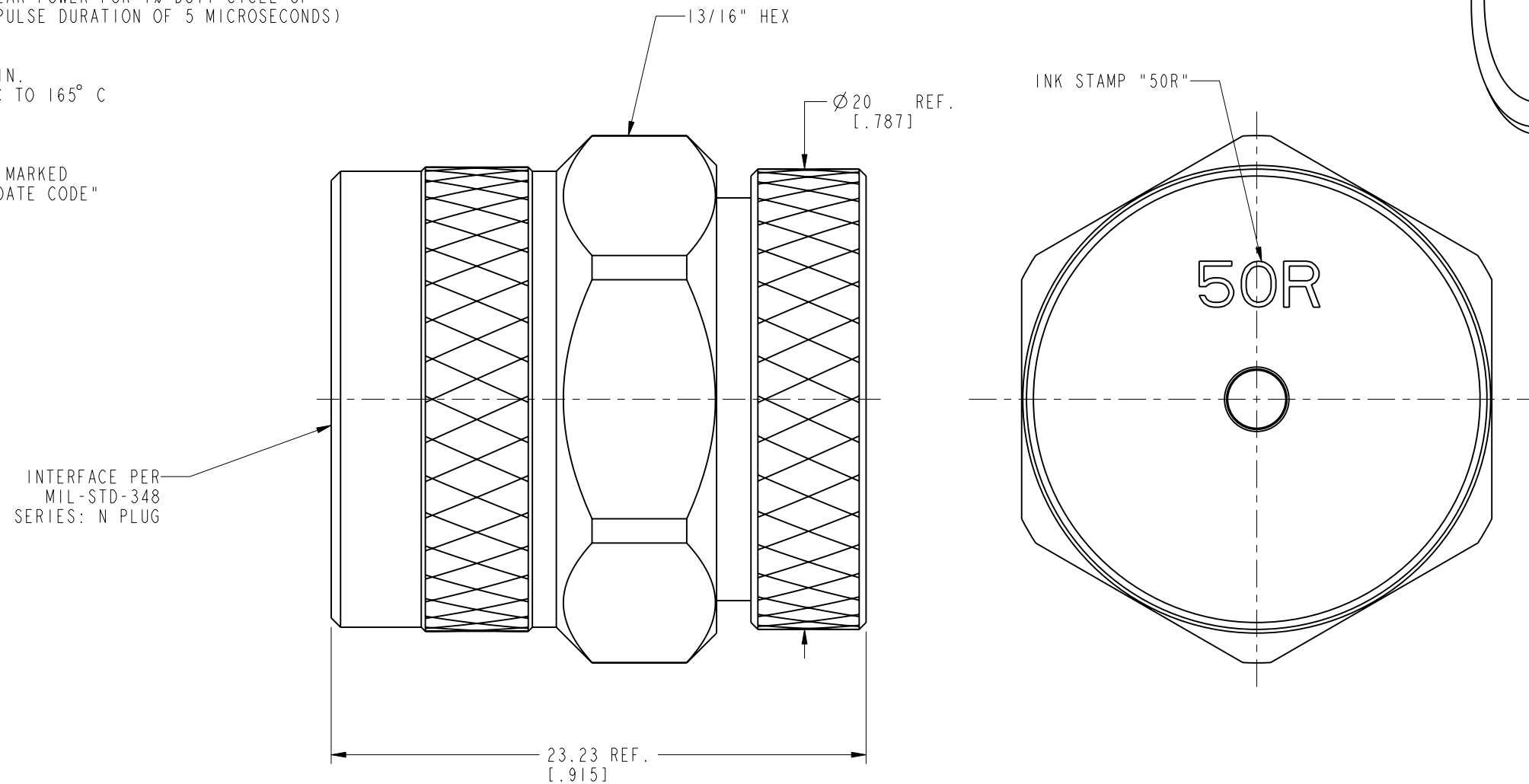
1. MATERIALS AND FINISHES:
 - BODY - BRASS, NICKEL PLATING
 - CONTACT - PHOSPHOR BRONZE, GOLD PLATING
 - INSULATOR - PTFE, NATURAL
 - CAP - PHOSPHOR BRONZE, NICKEL PLATING
 - COUPLING NUT - BRASS, NICKEL PLATING
2. ELECTRICAL:
 - A. IMPEDANCE: 50 OHM
 - B. FREQUENCY RANGE: DC-18 GHz
 - C. VSWR(RETURN LOSS): 1.15 (-23 dB) MAX. DC-8 GHz
1.20 (-20 dB) MAX. 8-18 GHz
 - D. AVG. POWER: 2 WATTS (POWER DERATED LINEARLY FROM 20°C TO 1 WATT AT 125°C)
 - E. PEAK POWER: 200 WATTS (PEAK POWER FOR 1% DUTY CYCLE OF 0.0005 MAX. PULSE DURATION OF 5 MICROSECONDS)
3. MECHANICAL:
 - A. DURABILITY: 500 CYCLES MIN.
 - B. TEMPERATURE RANGE: -65° C TO 165° C
4. PACKAGING:
 - A. QUANTITY: SINGLE PACK
 - B. MARKING: PACKAGING TO BE MARKED "AMPHENOL RF, 82-6694 & DATE CODE"

THIRD ANGLE PROJ.

REVISIONS				
REV	DESCRIPTION	DATE	ECN	APPR
A	RELEASE TO MANUFACTURING	07-May-19	11422	CJV



SCALE 3.000



CUSTOMER OUTLINE DRAWING

ALL OTHER SHEETS ARE FOR INTERNAL USE ONLY

UNLESS OTHERWISE SPECIFIED, DIMENSIONS ARE IN METRIC AND TOLERANCES ARE: <0.5mm ±0.05mm 0.5 - 6mm ±0.1mm 6 - 30mm ±0.2mm 30 - 120mm ±0.3mm ANGLES ±1°	MATERIAL	DRAWN	DATE	TITLE		Amphenol RF www.amphenolrf.com
	SEE NOTES	M. ZHANG	07-May-19	TERMINATION PLUG 18 GHz TYPE N 2 WATTS		
NOTICE - These drawings, specifications, or other data (1) are, and remain the property of Amphenol corp. (2) must be returned upon request; and (3) are confidential and not to be disclosed to any person other than those to whom they are given by Amphenol Corp. the furnishing of these drawings, specifications, or other data by Amphenol Corp., or to any other person to anyone for any purpose is not to be regarded by implication or otherwise in any manner licensing, granting rights to permitting such holder or any other person to manufacture, use or sell any product, process or design, patented or otherwise, that may in any way be related to or disclosed by said drawings, specifications, or other data.	REFERENCE	ENGINEER	DATE	SCALE: 4.0:1.0 SHEET 2 OF 2		DRAWING NO. 82-6694
	EAR# 8746	C. VIGORITO	29-Jan-19	DWG SIZE B		ITEM NO. 82-6694
	REF: ---	APPROVED	S. HSIEH	DATE	REV A	PART NO. 82-6694
CONFIGURATION LEVEL: In Work	FINISH	CAD FILE				