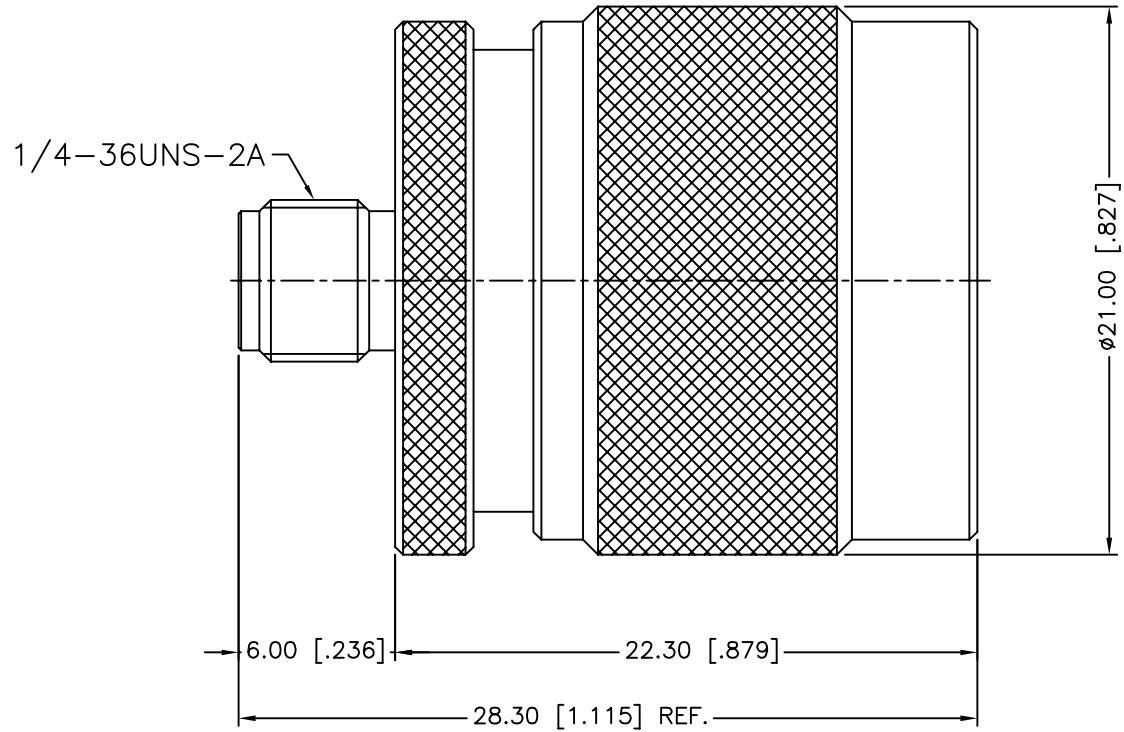


REV.	DATE	ECR NO.	DESCRIPTION
NC	08/25/09	XXXXXX	INITIAL RELEASE



REV.	DATE	ECR NO.	DESCRIPTION
NC	08/25/09	XXXXXX	INITIAL RELEASE

8				<small>UNLESS OTHERWISE SPECIFIED DIMENSIONS ARE IN MILLIMETERS. DIMENSIONS IN () ARE IN INCHES AND FOR CUSTOMER REFERENCE ONLY.</small> <small>UNLESS OTHERWISE SPECIFIED TOLERANCES FOR MILLIMETERS ARE: 0.5 - 8mm ± 0.20mm 8 - 30mm ± 0.40mm 30 - 120mm ± 0.50mm</small> <small>UNLESS OTHERWISE SPECIFIED TOLERANCES FOR INCHES ARE: .020 - .315 ± 0.007" .315 - 1.180 ± 0.015" 1.180 - 4.724 ± 0.020"</small>	APPROVALS	DATE	<h1>Amphenol Connex</h1>								
7	CONTACT BODY	BRASS	NICKEL		1	DRAWN		CW	08/25/09						
6	SHELL	BRASS	NICKEL		1	CHECKED									
5	RETAINER RING	SUS 304	NATURAL		1	ISSUED									
4	GASKET	SILICONE	RED		1	SHEET	1 OF 1								
3	CONTACT PIN	PHOSPHOR BRONZE	GOLD		1	PART DESCRIPTION			N MALE TO SMA FEMALE ADAPTOR						
2	INSULATOR	PTFE	NATURAL		1	PART NO.			242113						
1	BODY	BRASS	NICKEL		1	DWG. NO.			242113.DWG						
DESCRIPTION				MATERIAL	FINISH	QTY	DO NOT SCALE DRAWING		C:/CONNEX/242113.DWG	REV.	NC	SIZE	A	SCALE	NA