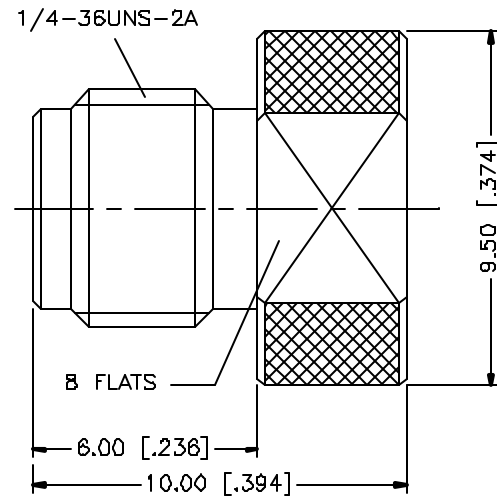


REV.	DATE	DESCRIPTION
NC	11/10/03	INITIAL RELEASE
A	07/31/04	UPDATE RESISTOR WATTAGE



8					<small>UNLESS OTHERWISE SPECIFIED DIMENSIONS ARE IN MILLIMETERS. DIMENSIONS IN [ ] ARE IN INCHES AND FOR CUSTOMER REFERENCE ONLY.</small>  <small>UNLESS OTHERWISE SPECIFIED TOLERANCES FOR MILLIMETERS ARE:</small> D.5 - 8mm ± 0.20mm B - 30mm ± 0.40mm 30 - 120mm ± 0.50mm  <small>UNLESS OTHERWISE SPECIFIED TOLERANCES FOR INCHES ARE:</small> .020 - .315 = ± 0.007" .315 - 1.180 = ± 0.015" 1.180 - 4.724 = ± 0.020"  DO NOT SCALE DRAWING	APPROVALS	DATE	<h1 style="color: blue; text-align: center;">Amphenol Connex</h1>			
7				DRAWN		G.R.S.	07/31/04				
6				CHECKED				PART DESCRIPTION <h2 style="text-align: center;">SMA TERMINATOR JACK (50 ohm)</h2>			
5				ISSUED							
4	RESISTOR	100R	1 WATT - 1%	2	SHEET	1 OF 1	PART NO. <h2 style="text-align: center;">132361</h2>				
3	CONTACT PIN	BER. COPPER	GOLD	1							
2	INSULATOR	TEFLON	NATURAL	1	CAD FILE		DWS. NO. 132361.DWG		REV. A	SIZE A	SCALE NA
1	BODY	BRASS	GOLD	1	C:/132/132361.DWG						
DESCRIPTION					MATERIAL		FINISH		QTY		