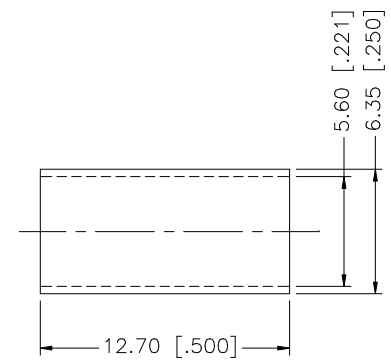
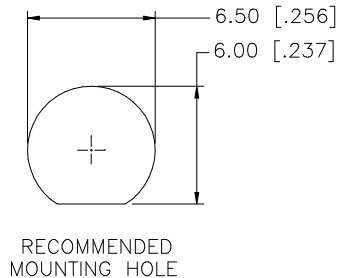
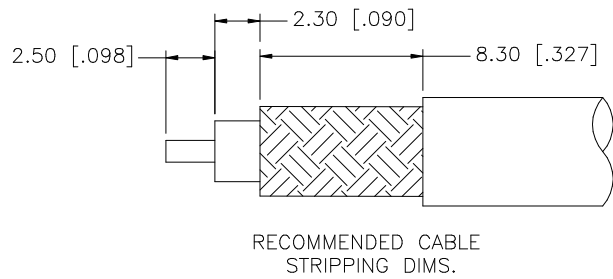
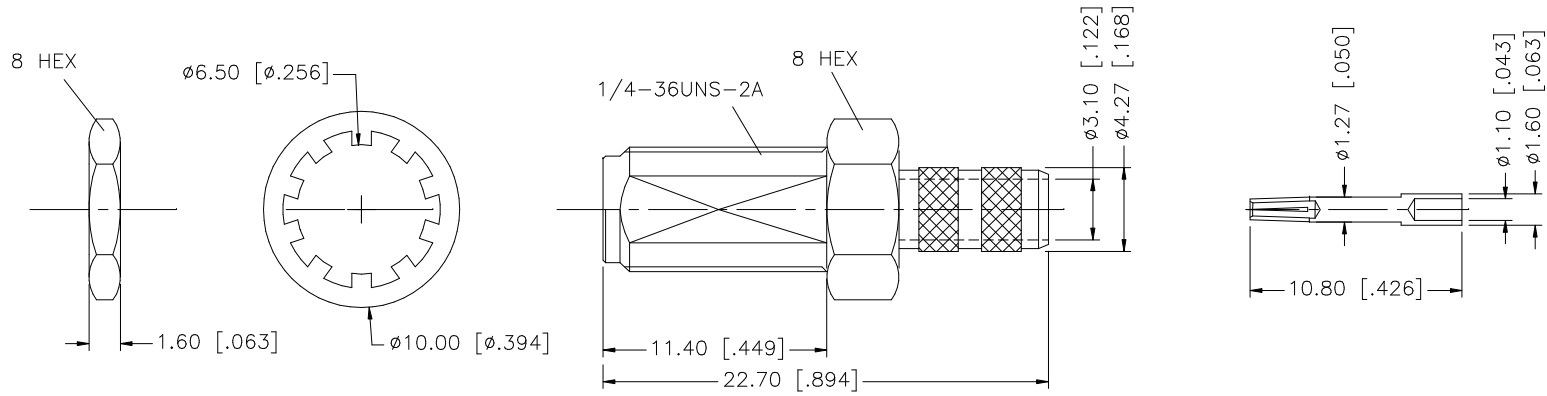


REV.	DATE	DESCRIPTION
NC	02/13/98	INITIAL RELEASE
A	05/01/04	UPDATE DRAWING FORMAT
B	06/25/05	ADD CABLE CALL OUT IN DESCRIPTION



QTY	FINISH	MATERIAL	DESCRIPTION
1	GOLD	BRASS	BODY
1	NATURAL	TEFLON	INSULATOR
1	GOLD	BER. COPPER	CONTACT PIN
1	GOLD	BRASS	LOCK WASHER
1	GOLD	BRASS	HEX NUT
1	GOLD	COPPER	FERRULE

UNLESS OTHERWISE SPECIFIED DIMENSIONS ARE IN MILLIMETERS. DIMENSIONS IN [ ] ARE IN INCHES AND FOR CUSTOMER REFERENCE ONLY.

UNLESS OTHERWISE SPECIFIED TOLERANCES FOR MILLIMETERS ARE:  
0.5 - 8mm ± 0.20mm  
8 - 30mm ± 0.40mm  
30 - 120mm ± 0.50mm

UNLESS OTHERWISE SPECIFIED TOLERANCES FOR INCHES ARE:  
.020 - .315 = ± 0.007"  
.315 - 1.180 = ± 0.015"  
1.180 - 4.724 = ± 0.020"

DO NOT SCALE DRAWING

APPROVALS	DATE
DRAWN G.R.S.	06/25/05
CHECKED	
ISSUED	
SHEET 1 OF 1	
CAD FILE C:/132/132191.DWG	

**Amphenol Connex**

PART DESCRIPTION  
**SMA BULKHEAD CRIMP JACK  
(FOR RG-55, 142, 223, 400/U CABLE)**

PART NO. **132191**

DWG. NO. 132191.DWG    REV. B    SIZE A    SCALE NA