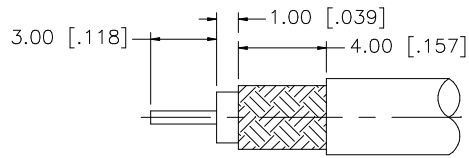
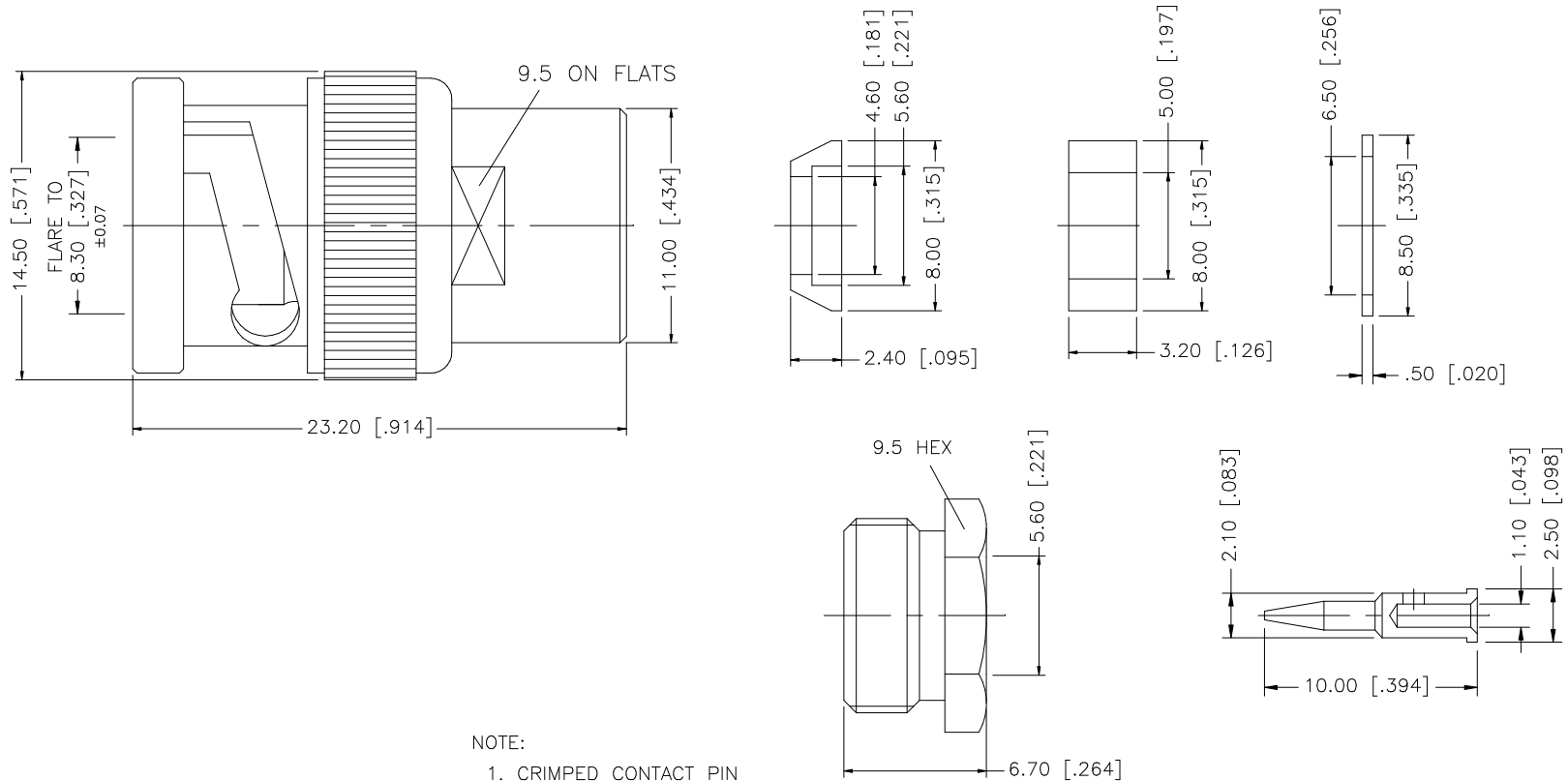


REV.	DATE	DESCRIPTION
NC	09/14/95	INITIAL RELEASE
A	05/10/05	UPDATE DRAWING FORMAT
B	07/25/05	EXPLODE TO SHOW ALL PARTS/ MODIFY DESCRIPTION



RECOMMENDED  
CABLE STRIPPING DIM'S



NOTE:  
1. CRIMPED CONTACT PIN  
HEX CRIMP SIZE .068"

8					UNLESS OTHERWISE SPECIFIED DIMENSIONS ARE IN MILLIMETERS. DIMENSIONS IN [ ] ARE IN INCHES AND FOR CUSTOMER REFERENCE ONLY.	APPROVALS	DATE	<b>Amphenol Connex</b>				
7	CONTACT PIN	BRASS	GOLD	1	UNLESS OTHERWISE SPECIFIED TOLERANCES FOR MILLIMETERS ARE: 0.5 - 8mm ± 0.20mm 8 - 30mm ± 0.40mm 30 - 120mm ± 0.50mm  UNLESS OTHERWISE SPECIFIED TOLERANCES FOR INCHES ARE: .020 - .315 = ± 0.007" .315 - 1.180 = ± 0.015" 1.180 - 4.724 = ± 0.020"	DRAWN	G.R.S.					07/25/04
6	HEX NUT	BRASS	NICKEL	1		BNC CLAMP PLUG (FOR RG-58C/U, 58/U, 142A/U, 223/U)						
5	WASHER	BRASS	NICKEL	1		PART NO.						
4	GASKET	SILICONE	RED	1	112348							
3	TOP HAT	BRASS	NICKEL	1	DWG. NO. 112348.DWG							
2	INSULATOR	DELTRIN	NATURAL	1	REV. B							
1	BODY	BRASS	NICKEL	1	SIZE A							
DESCRIPTION					MATERIAL	FINISH	QTY	SCALE NA				
DO NOT SCALE DRAWING					CAD FILE C:/112/112348.DWG							